

CULPEPER COLUMNS

The Original Laminated Timber Column

Care & Handling



Culpeper Columns are a real wood building product, which is kiln dried after the treatment process. This system helps to reduce the natural tendencies of wood to warp, cup and shrink. However, as wood, it remains sensitive to environmental conditions if not properly handled on the job site.

This product is Kiln Dried After Treatment:

- Keep columns dry, off the ground, and covered until installation.
- Seal with a quality oil based primer and paint or stain as soon as possible, no later than upon installation.
- End cuts should be sealed before installation.
- Surface “checks” can be filled with wood putty before sealing

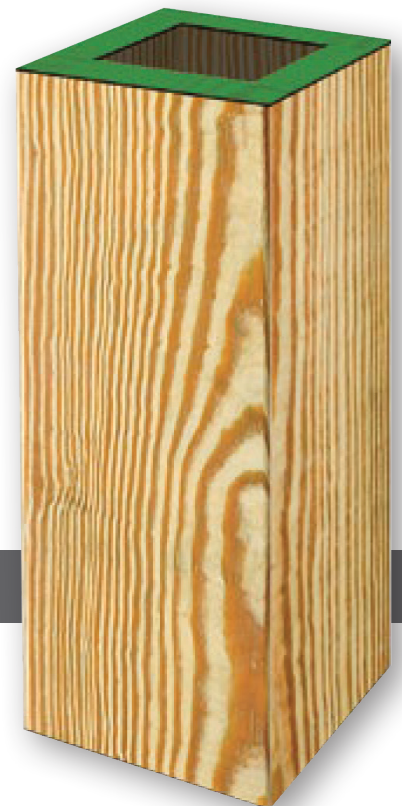
Visit CulpeperWood.com for allowable loads, available styles, sizes, connectors recommended by manufacturers and warranty information.

Tools Required:

- Tape Measure
- Bottle jack
- Circular Saw
- Drill
- Hammer or Mallet
- Carpenter’s Square
- Level

Safety:

- Gloves
- Eye Protection
- Dust Mask

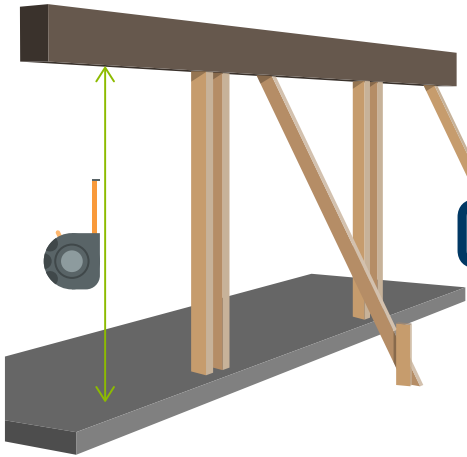
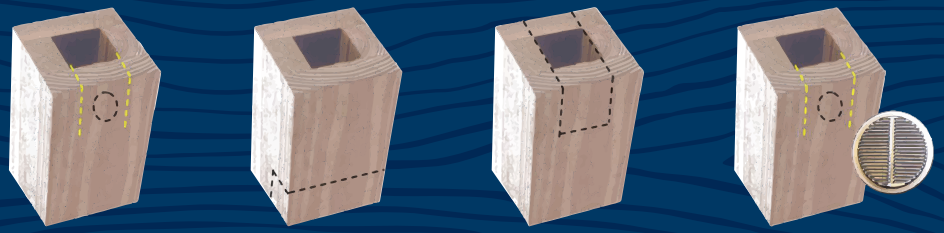


CULPEPERWOOD.COM | 800.817.6215

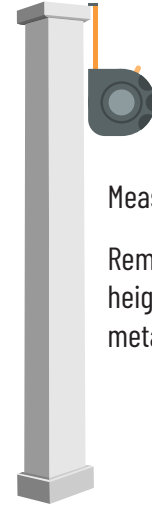
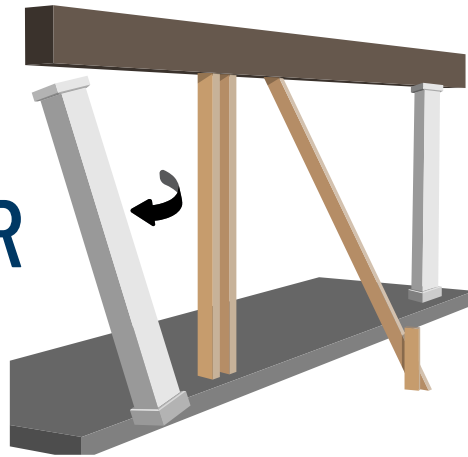
FREDERICKSBURG, VA | FEDERALSBURG, MD | ROANOKE RAPIDS, NC | COVE CITY, NC
COLERIDGE, NC | COLUMBIA, SC | ORANGEBURG, SC | BRANCHVILLE, SC | SHELBYVILLE, IN

CULPEPER
WOOD PRESERVERS

Culpeper Columns can be drilled; the hole should be no larger than the space between the glued members. Columns can be notched as a post; cut back should be no deeper than 2/3 the column width and space should be blocked. Top notching to receive a beam is allowed. Column should be vented at the top and bottom to reduce the risk of checking and splitting.



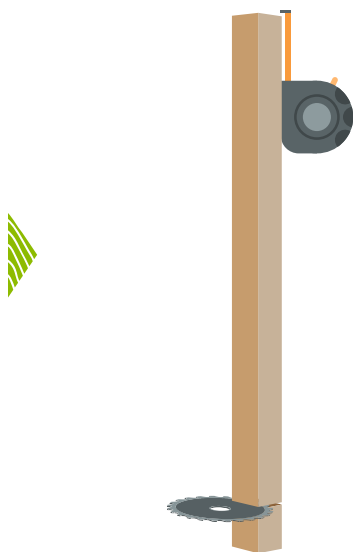
OR



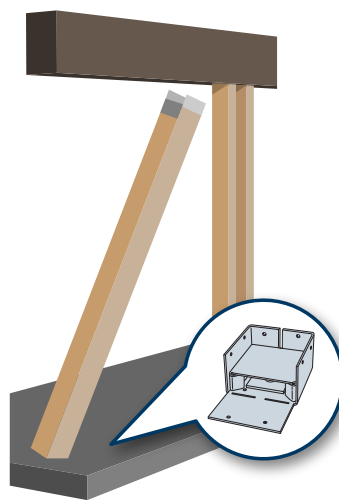
Measure the old column.
Remember to add height for the plinth or metal connector.

With proper bracing in place in "new" construction, measure the distance from the floor to the header support.

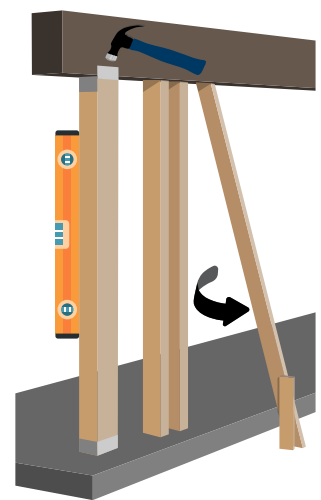
When replacing an existing column, place a temporary support beside the column you are planning to replace. Use a 4x4 or 2x6 and a bottle jack if necessary to make sure the load is properly supported. Once the load is supported remove the old column.



Measure the new Culpeper Columns. Account for the height of the plinth or metal connector on the base before making your cut. (Remember eye protection!) Using a compound or circular saw cut the column to the proper length. Seal end cuts.



Attach the plinth or metal connector to the bottom of the Culpeper Columns and slide the column into place. If a high wind tie-down cable or rod is required, consult code and manufacturer's recommendations.



Check for plumb, ensure the column will support the load, then secure the top and bottom of the column. If using a metal connector, refer to manufacturer's instructions. Remove the temporary bracing.